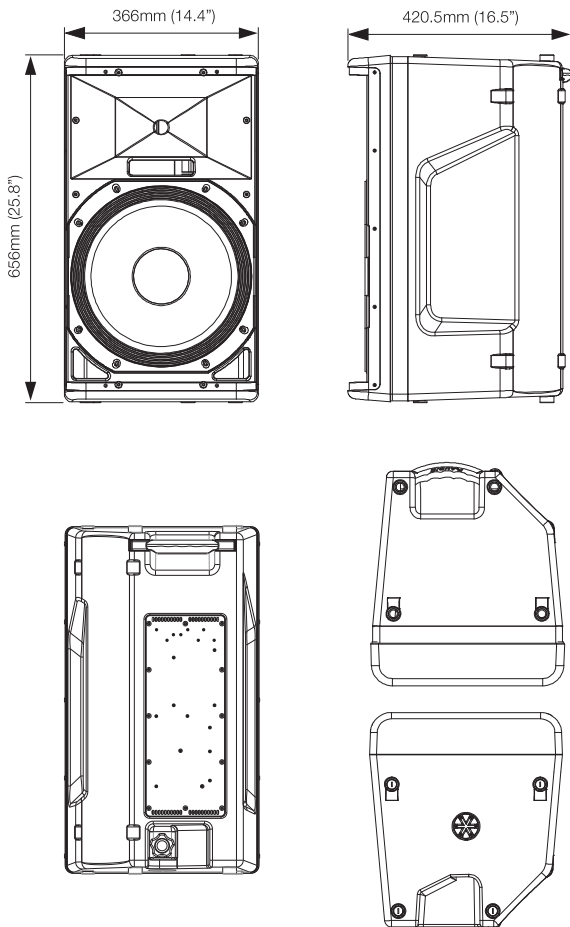




X8-15A

Narrow Profile Active Two-Way Speaker

X8
SERIES



Application

- Portable background and foreground full range music applications

Features

- Easy set up and pack down thanks to lightweight, internal class D amplification.
- Narrow profile 15" woofer for high impact sound reinforcement in a small package.
- Electronic time alignment, filtering and protection circuits through internal DSP.

The P.Audio X8-15A active 15 inch compact loudspeaker system is designed primarily for portable sound reinforcement applications. The 15 inch low frequency woofer offers extended low frequency output from an enclosure size previously associated with 12 inch loudspeaker systems, thanks to the narrow profile woofer frame design used. The internal amplifier used in the X8-15A is a high power class D design offering 600w peak power. The 1" true compression driver is coupled to a 90 x 40 constant directivity horn to provide controlled and detailed sound reproduction at all frequencies.

The X8-15A is a full range design that employs the latest DSP technology to provide high order filtering and EQ to the individual components. A line through connection allows the user to link several loudspeakers together to form a larger system. The X8-15A features linear amplitude response, finely tuned transducer time alignment, and superior vocal intelligibility.

The enclosure is of a high quality ABS plastic which makes use of internal ribs for structural support, and improved time domain performance. The system includes a moulded in 'Top Hat' style stand adaptor which allows for flexible mounting options. The X8-15A is a high performance, cost effective design that excels in a variety of indoor applications.

General Specifications

Type	Active Two-Way
Woofer Size	15"
Woofer Voice Coil	2.5"
HF Size	1" Throat
HF Voice Coil	1"
Cabinet design	Plastic
Handles	1
Pole Mount	Moulded Top hat
Weight	21kg/46.3lbs
Dimensions (WxDxH)	656x366x420.5 mm

Acoustic Specifications

Sensitivity (1w/1m) (dB)	N/A
-3dB Response	55-20kHz
-10dB Response	50-22kHz
Power Handling (Watt)	N/A
Maximum Continuous SPL (dB)	119
Maximum Peak SPL (dB)	122
Dispersion (HxV)	90x40

Electrical Specifications

Impedance	N/A
Input	Mic XLR; Line XLR; Line RCA
Thru	XLR
Output (Available to User)	None
System Level Control	Rotating Knob
Other Control	Preset Selection (3 Presets); Bass/Hi EQ Control; Mic+Line Level Control
Power Output	250w RMS (500w Peak) Low Frequency; 75w RMS (150w Peak) High Frequency
Amplifier Type	Class D with Switch Mode Power Supply
Protection	Turn on delay; Short circuit protection; DC Voltage protection; Peak Voltage Limiter; Over Temp Protection
Indicators	Preset Selection; Power LED; Clip LED